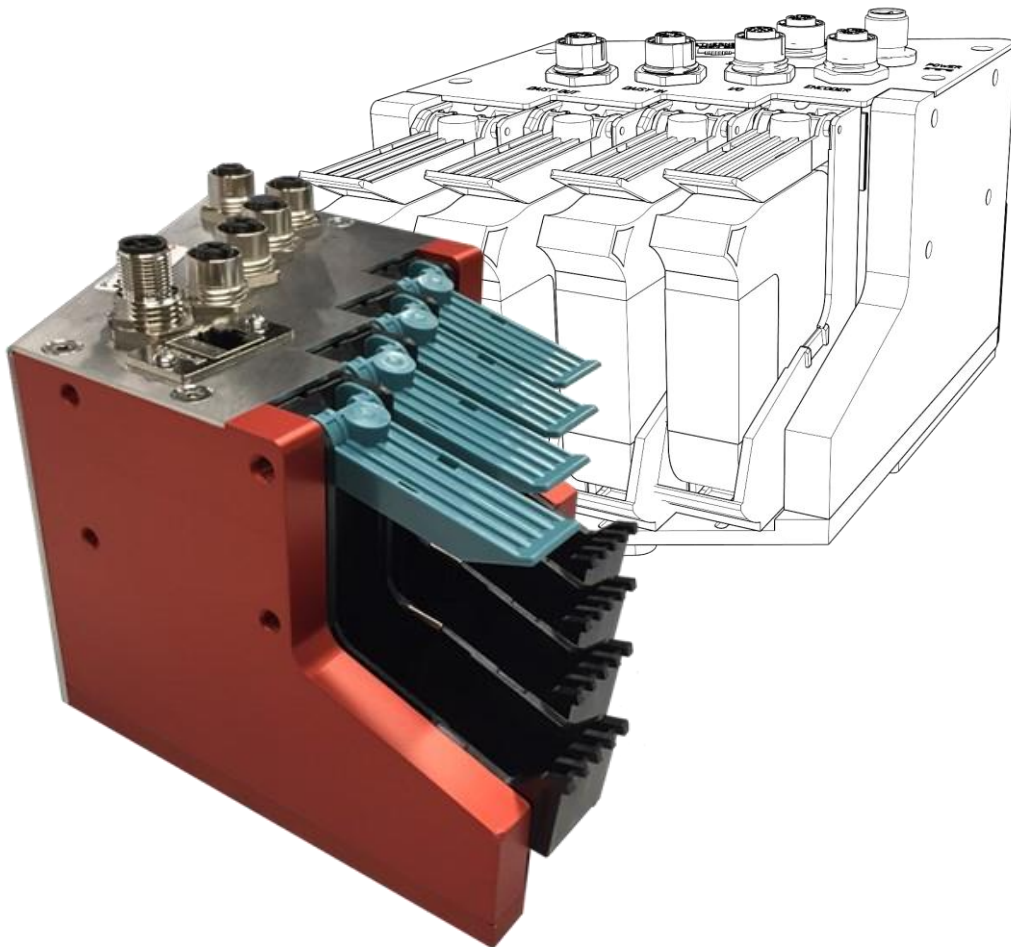


THOMPSON DIRECT

DIRECT MAIL & PACKAGING EQUIPMENT

.WING for Wider Format Printing 2", 4" and 8"



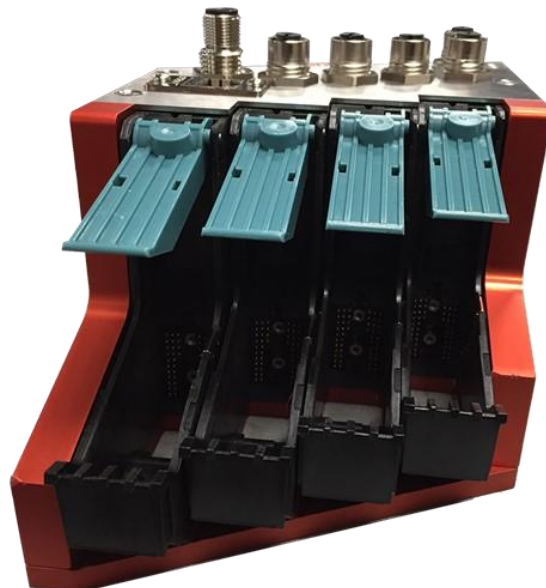
Wide Format Solutions for Thermal InkJet

For applications where wider formats may be required, the WING is a simplified and solid print solution . Available in 2", 4" and 8" variants, it can be used in a variety of industries from Graphics to Mail to Packaging.

All of the drive electronics and cabling are internal leaving a cleaner and more streamlined installation in any situation. Standard M12 connectors are placed on top of the unit for simpler connectivity to sensors, encoders and interfaces.

The red anodized housing is made of heavy gauge 1/2" aluminum to enable it to be utilized in almost any installation environment and comes

with multiple mounting locations to facilitate easy integration.



- ❑ Wide format up to 8 inches
- ❑ Solid ruggedized housing
- ❑ Multiple mounting locations
- ❑ Managed print for highest quality print
- ❑ SmartCard enabled



HIGH QUALITY, HIGH SPEED

The .WING supports up to a 600 dpi resolution giving you maximum quality at all times and at a speed that meets your production objectives.

Horizontal Resolution	Max Speed *	
	m/min	ft/min
600	46	150
300	76	250
150	152	500

LIFETIME WARRANTY *

A guarantee of reliability is what your business needs today. And a company to stand behind its words.

Thompson Direct does just this by offering a genuine Lifetime Warranty on its hardware. If there is ever a problem, we will replace it free of charges for the lifetime of that product, whether 1 year or 20 years from now

(* only on Managed Units)

SIMPLE TO INTEGRATE AND USE

A condensed footprint with all cabling inside the case, the .WING is simple to integrate into other equipment.. At the bare minimum it is only four cables to connect—sensor, encoder, power and an Ethernet cable to the User Interface. It really couldn't be any simpler and cleaner!

With decades of experience in the marking and coding markets, inc.jet has a wealth of knowledge to build on in developing print solutions that are simple to integrate and easy to operate.

LOWER OPERATING COSTS

With almost zero maintenance, efficient use of inks, and reliability, the .WING has a very low Total Cost of Ownership. Add Bulk ink solutions to the wing , in aqueous or solvent , and operating costs can reduce even more.



.WING - built strong and flexible

The wing is designed and manufactured in the USA to be highly flexible and capable. Building on decades of experience, the WING is a proven print solution that comes with a Lifetime Warranty to prove reliability and robustness of the design

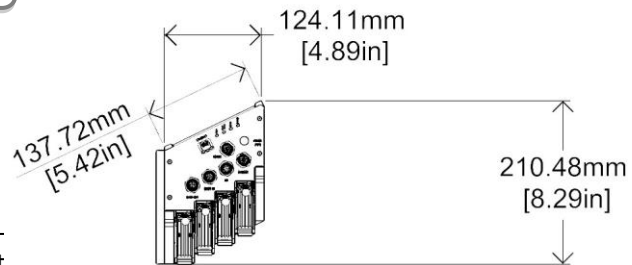
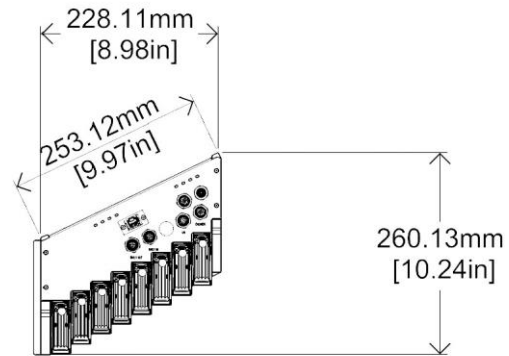
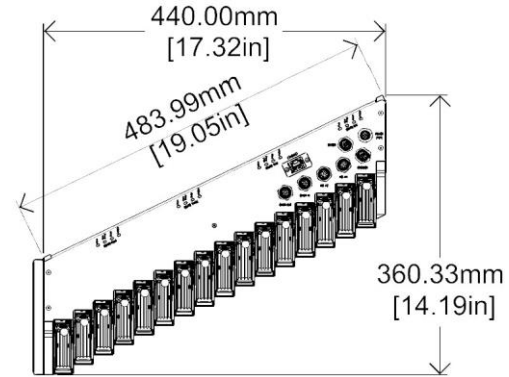
4, 8, or 16 Pen Stalls
For 2, 4, or 8 inches
of vertical print

Status LEDs for Sensor,
Encoder, System Status,
And Print Ready Signals



M12 Electrical Connections for
Sensor, Encoder, Daisy Chain,
and I/O Signals

Mounting Points
On back and both sides for
easy integration

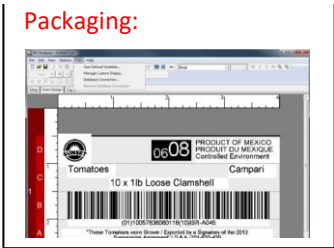
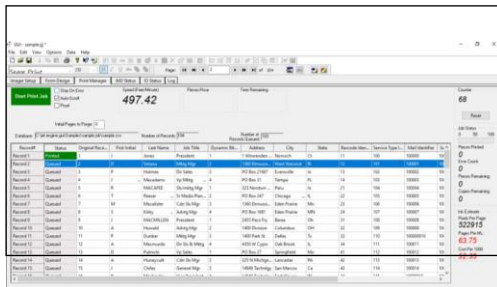


CHOICES OF SOFTWARE TO SUIT YOUR NEEDS

TDI gives you choices for the driving software behind the .WING

Mail/Graphics

Designed with the Mail and Graphics markets in mind, the inc.jet GUI, can be up and running within minutes from design of the basic job template to hitting the Start button and being in production! Bring in databases and easily



The software is a proven enterprise level solution that will help you monitor, manage and maximize your print stream. And what's more, its completely free with eternal updates!